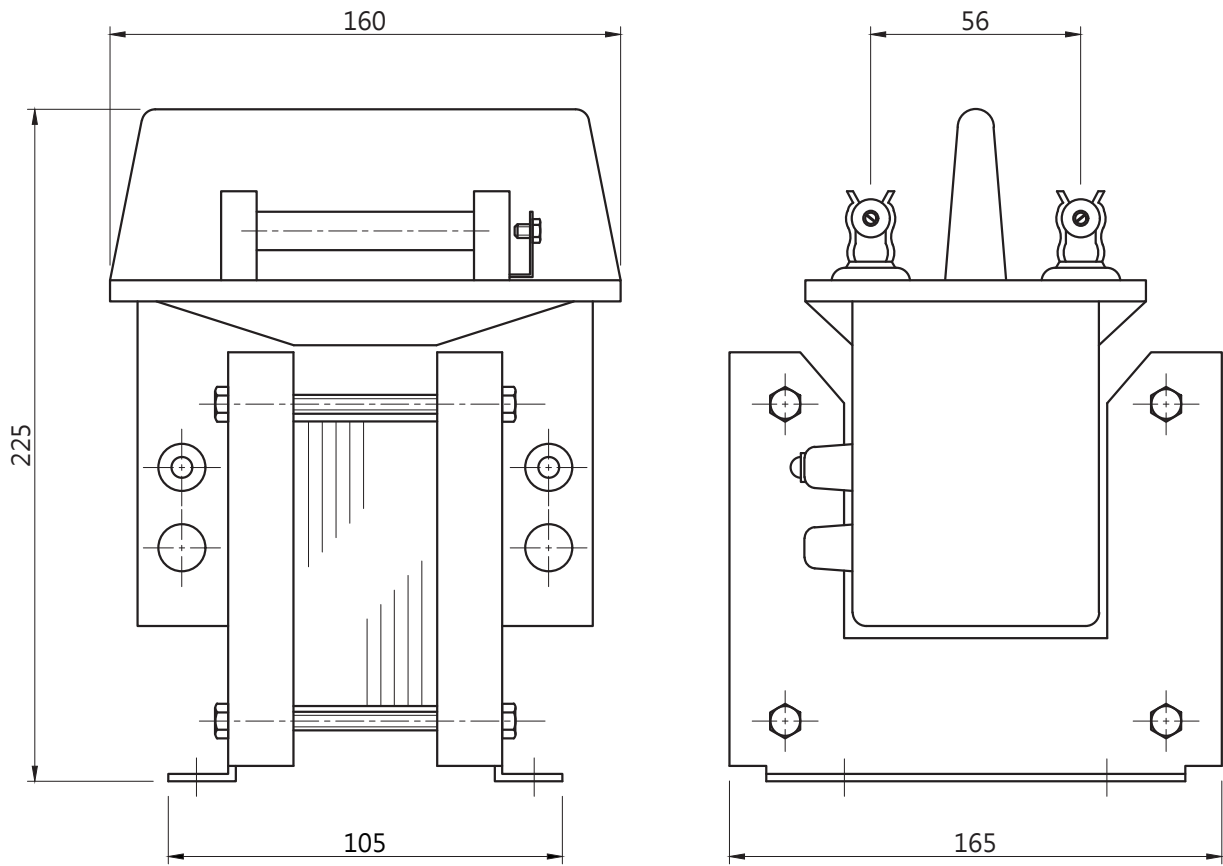
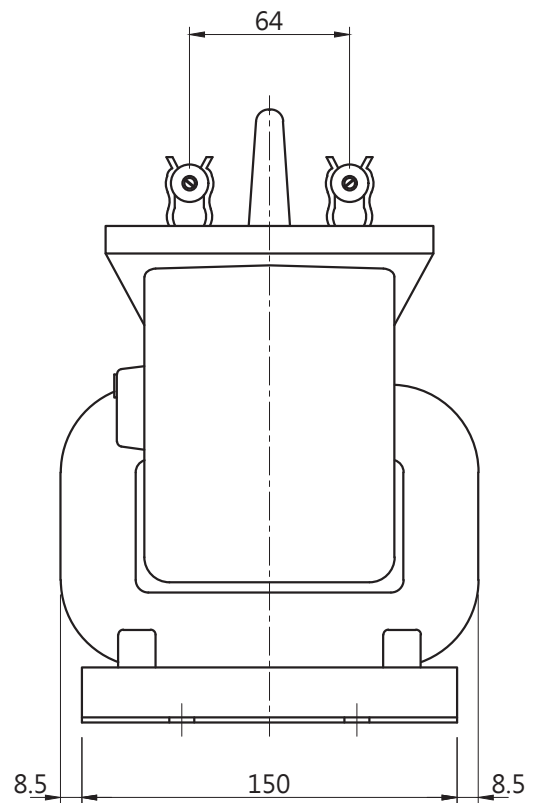
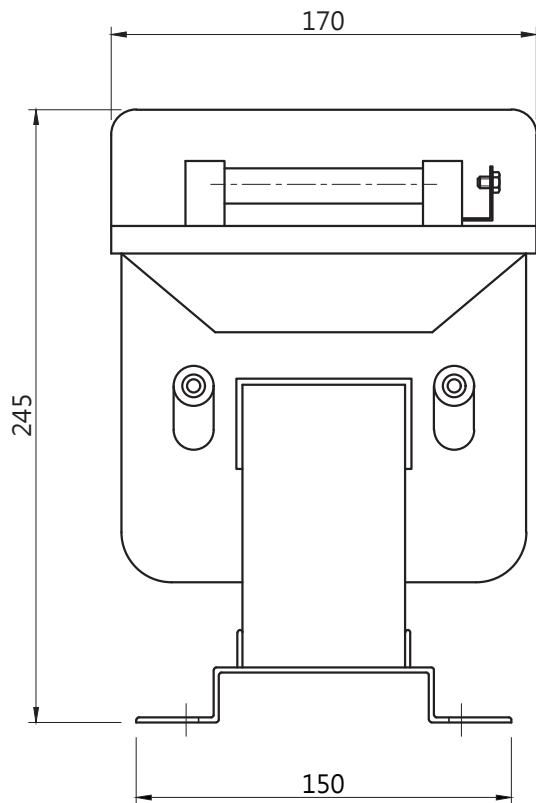


Model(s): EP-3SF2



(Unit: mm)

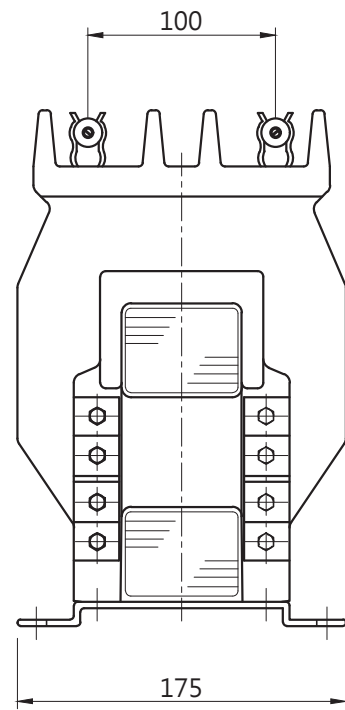
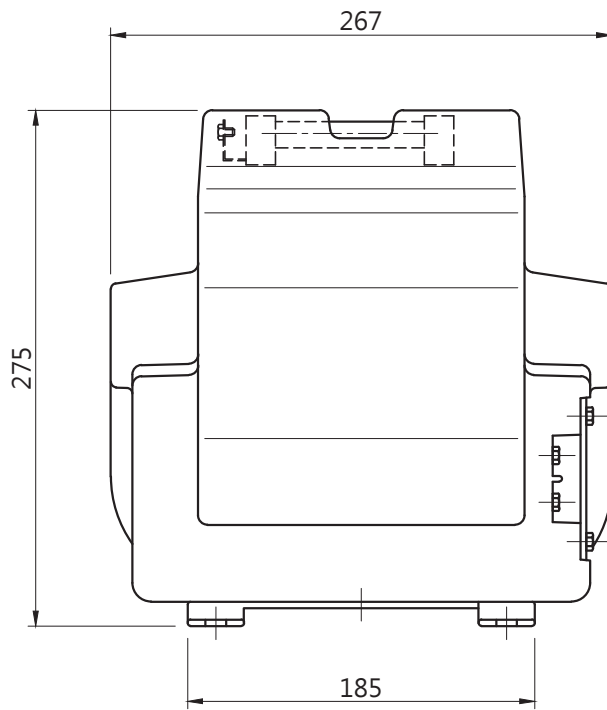
Model(s): EP-3SF5



(Unit: mm)

Model(s): EP-6SFK

---



(Unit: mm)