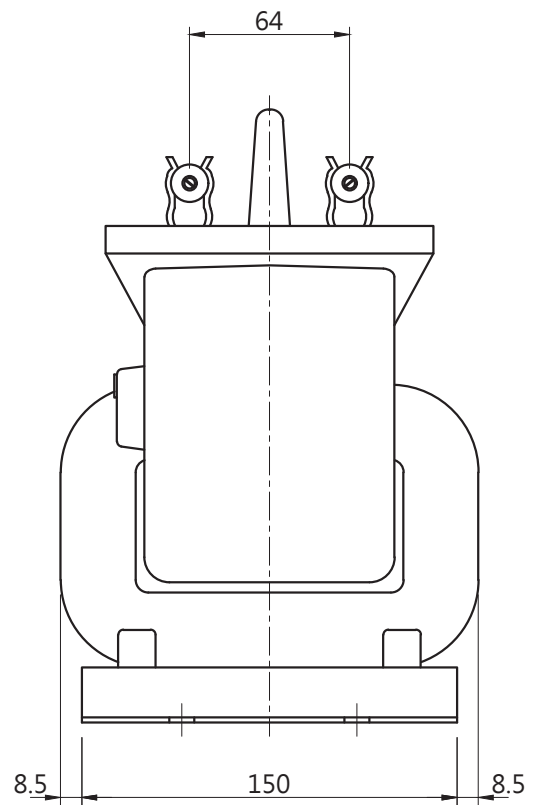
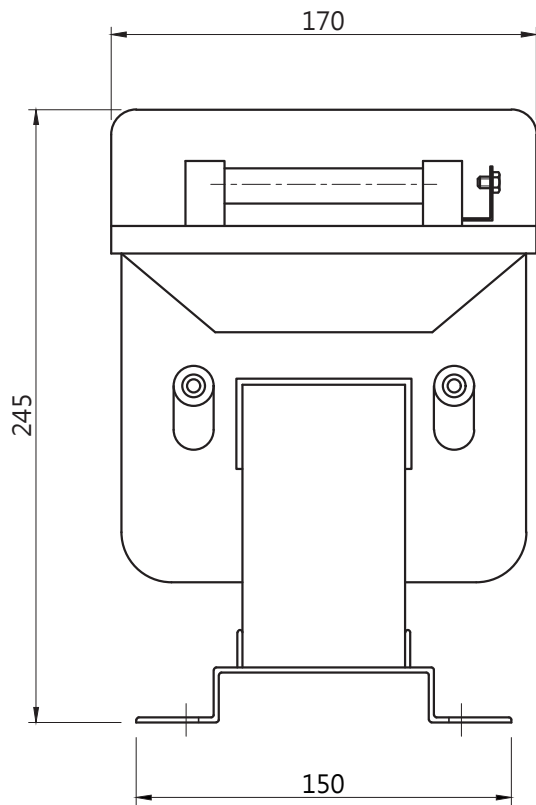
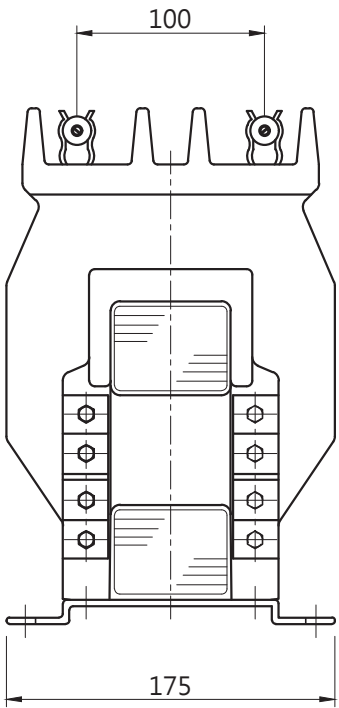
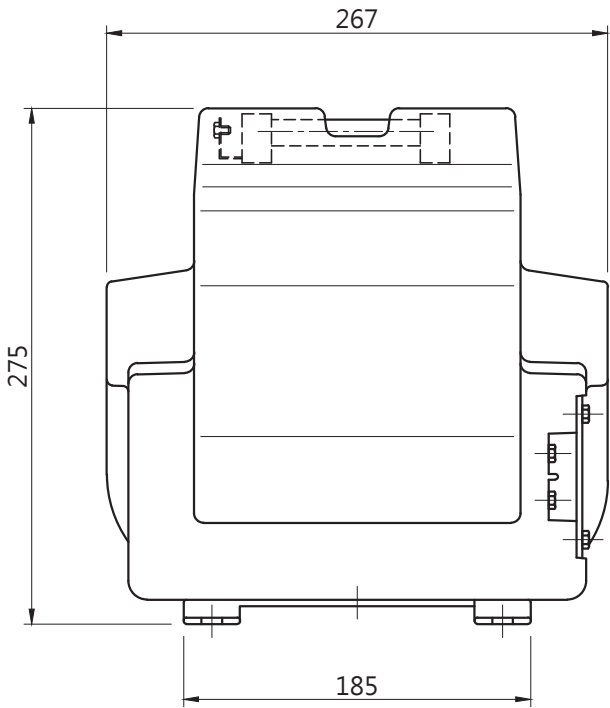


(Unit: mm)



(Unit: mm)



(Unit: mm)