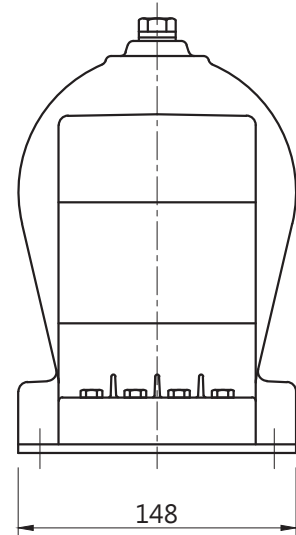
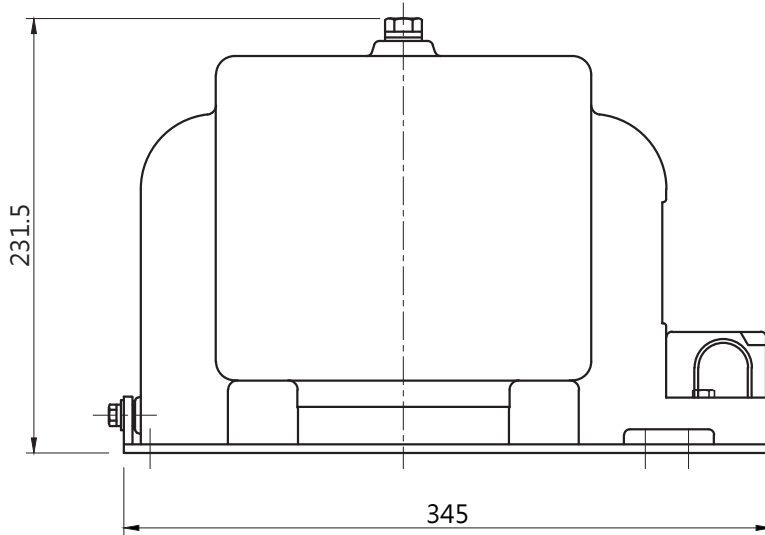
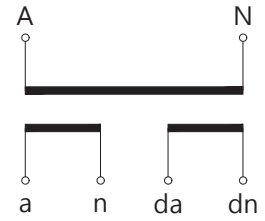
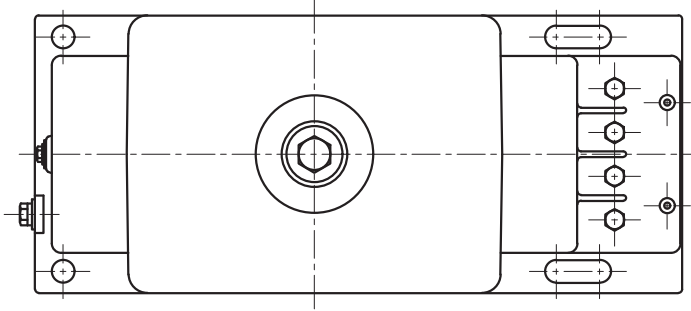


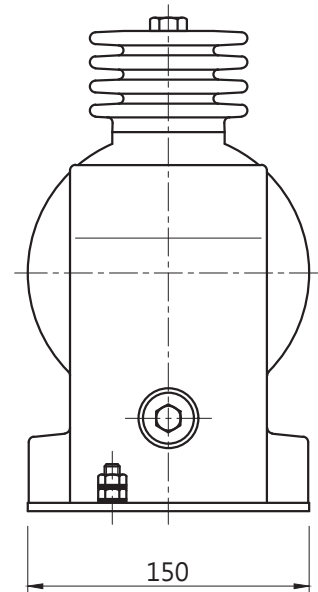
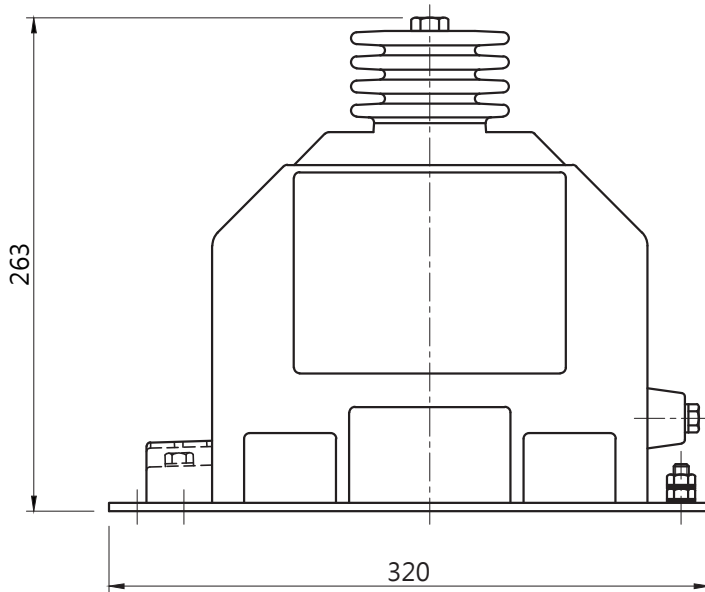
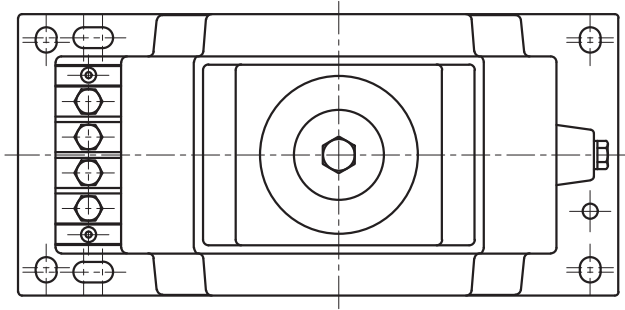
(Unit: mm)



(Unit: mm)

Model(s): EPF-20SK

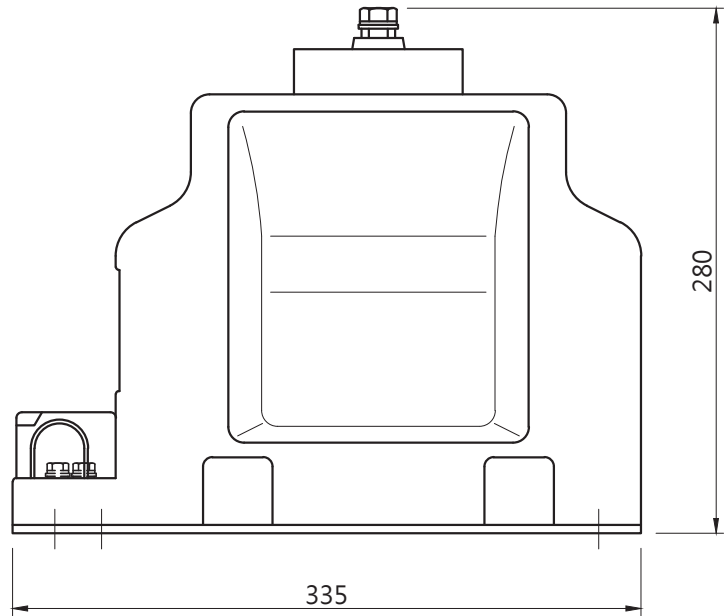
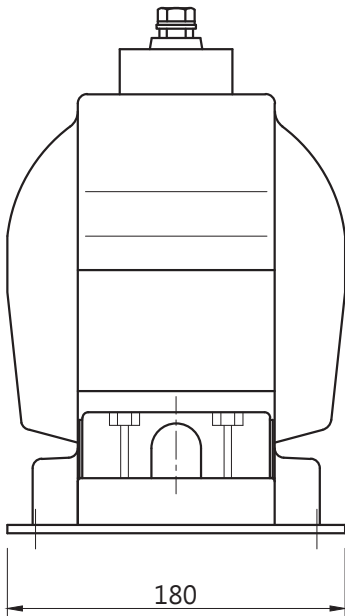
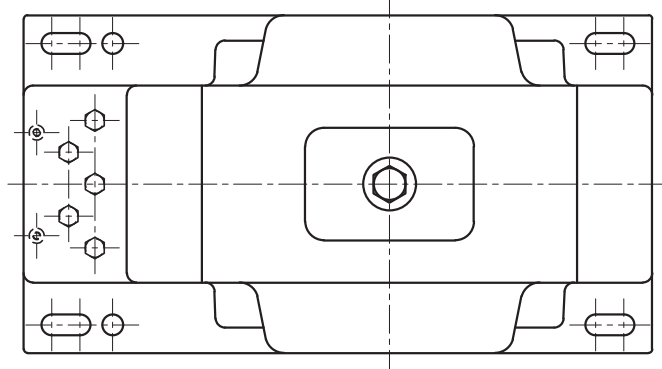
---



(Unit: mm)

Model(s): EPF-20SL

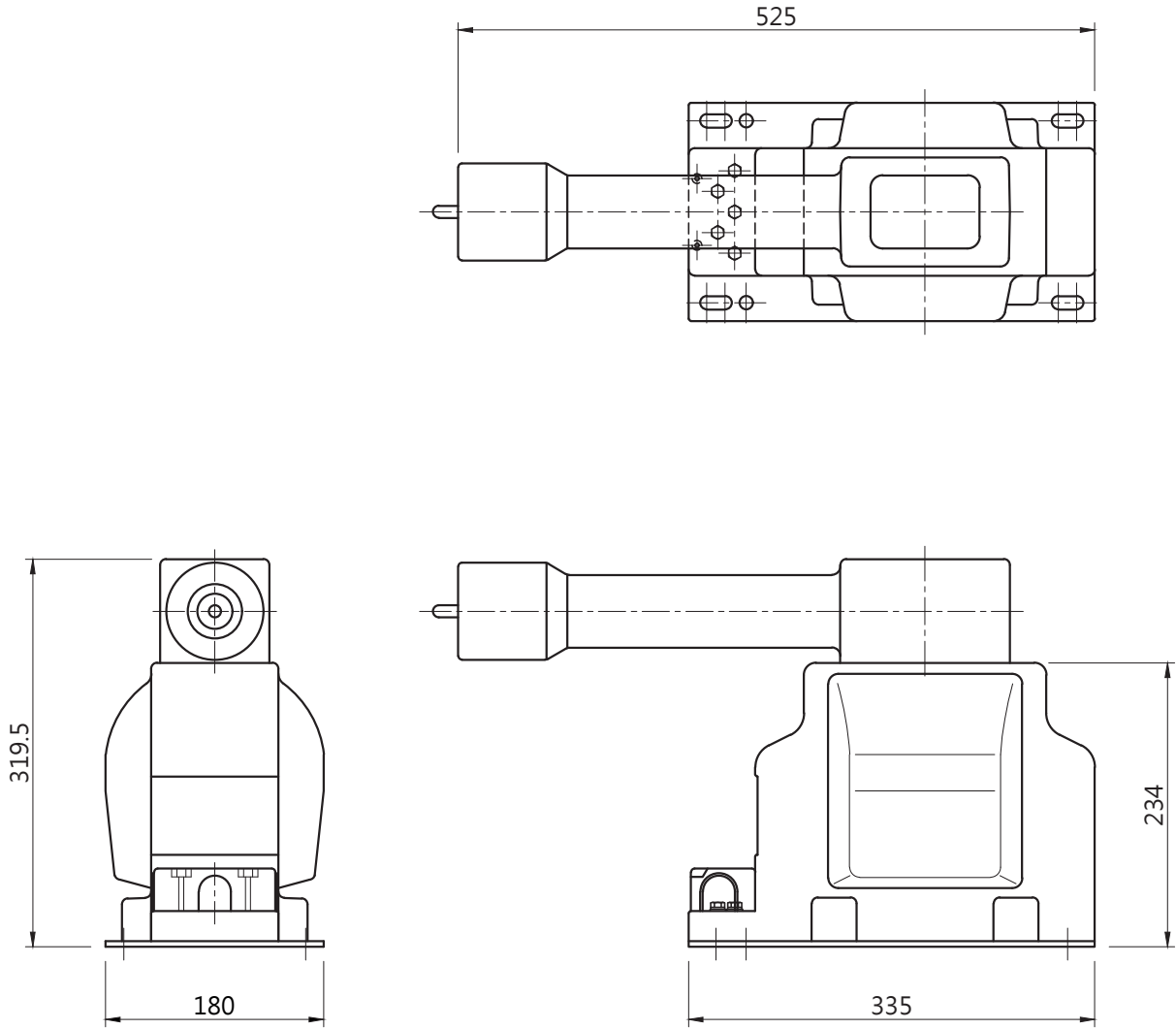
---



(Unit: mm)

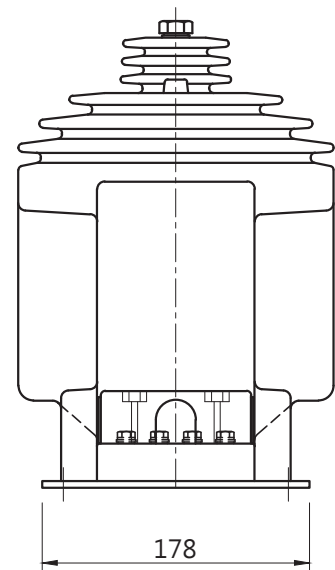
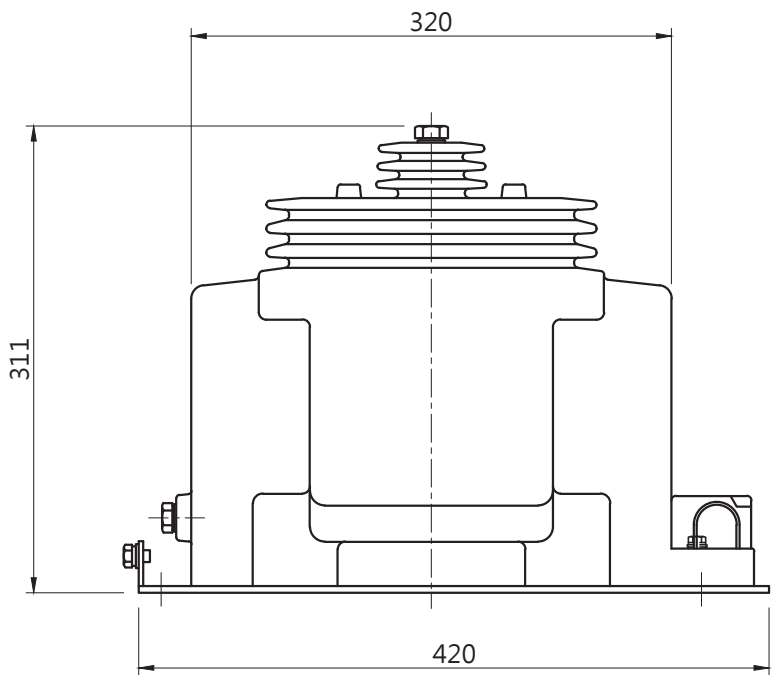
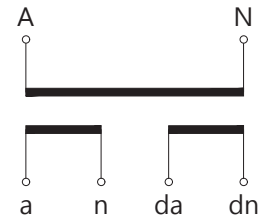
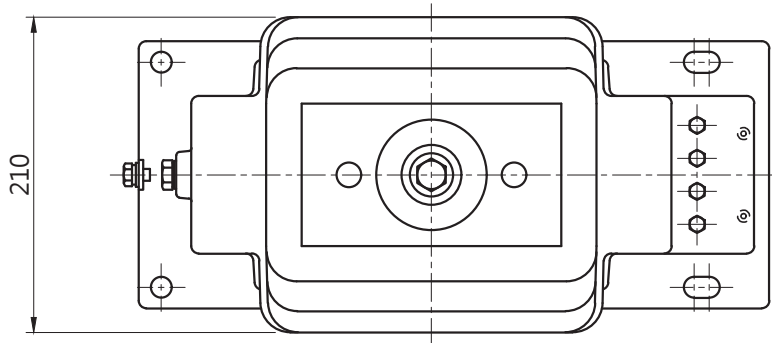
Model(s): EPF-20SL (with Fuse)

---



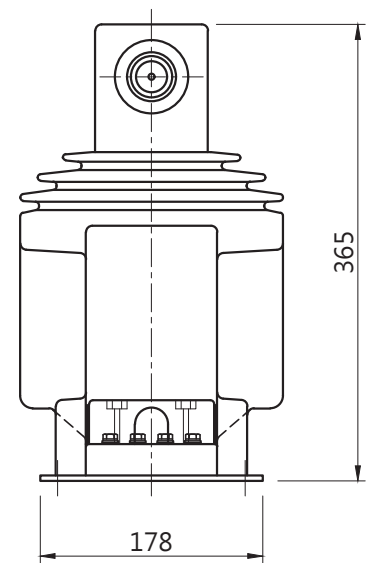
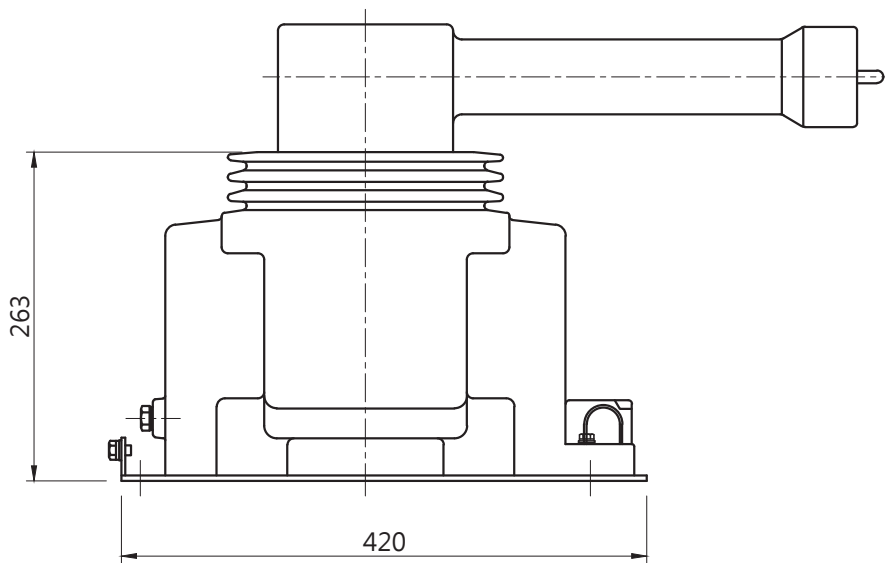
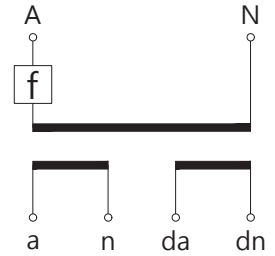
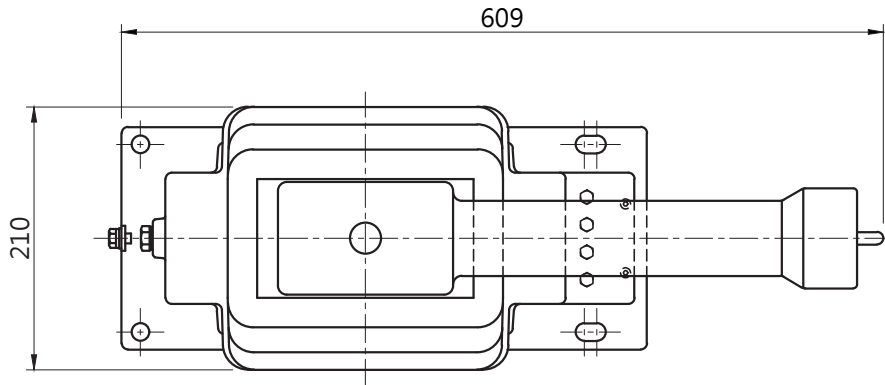
(Unit: mm)

Model(s): EPF-30DE



(Unit: mm)

Model(s): EPF-30DE (with Fuse)



(Unit: mm)