



Low-Voltage Tubular Power Capacitors

WSCR Series

Introduction

Each single-phase or three-phase power capacitor of the WSCR Low-Voltage Series is made by placing a roll of metallized polypropylene film in a sealed vacuum tubular container made of aluminum alloy. When power capacitor failure causes an insulation breakdown, the metallized polypropylene film is able to self-restore. In addition, gas pressure generated by power capacitor failure will tear the tension fuses installed in the sealed cylinder and thus cut off power and prevent further damage. Each tubular power capacitor comes with a screw attached to the bottom for easy installation. The cylindrical shape of the aluminum alloy casing allows heat dissipation, which helps conserve energy and prolong product lifespan.



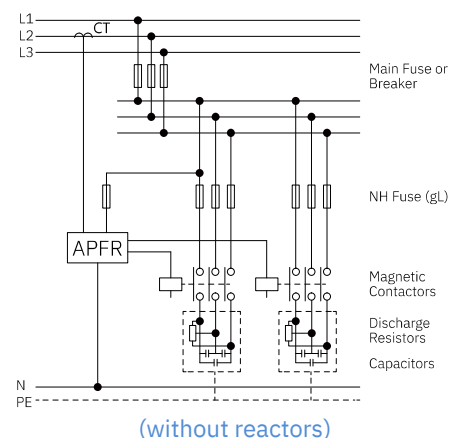
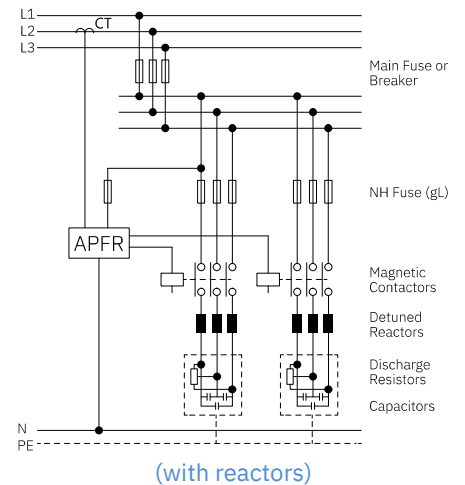
Features

- Dry type
- Bottom screws included for easy installation
- Cylindrical shape allows heat dissipation
- Protected against rust due to aluminum alloy outer casing
- Top cover offers shock prevention
- Self-healing polypropylene film
- Built-in tension fuses
- Vertical installation (contact manufacturer for horizontal installation)

Specifications

<i>Standard</i>	IEC 60831-1 (or as requested by customers)
<i>Usage</i>	Indoor use
<i>Operation Conditions</i>	Ambient temperature -25°C ~ +50°C
	Humidity ≤ 95% RH
<i>Rated Voltage</i>	220V _{ac} ~ 600V _{ac}
<i>Capacitance Tolerance</i>	-5% ~ +10%
<i>Withstand Voltage</i>	Terminal/Terminal: 2.1 U _n /10s Terminal/Casing: 3000 V _{ac} /2s
<i>Insulation</i>	Insulation Resistance > 1000MΩ; Terminal/Case 500 V _{ac} /1min
<i>Maximum Overvoltage</i>	1.1 U _n (root mean square value)
<i>Maximum Overcurrent</i>	1.3 I _n (root mean square value)
<i>Note</i>	One minute after power cutoff, Terminal/Terminal Voltage will drop below 50V.
<i>Loss</i>	≤ 0.2W/kVAR

Wiring Diagrams

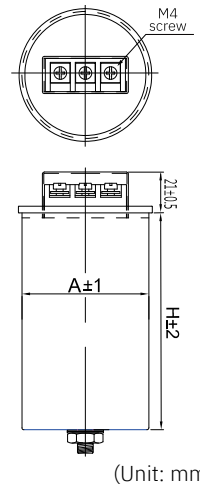


Specifications and Dimensions

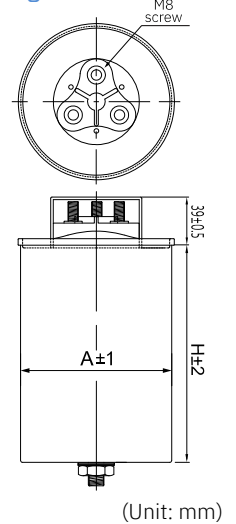
Model	Rated Voltage (V)	Rated Capacity (kVAR)	Rated Current (A)	Rated Capacitance (μF)	Dimensions (A*H)	Drawing
WSCR 2005	260	5	11.10	196.2	76*240	2
WSCR 2010		10	22.21	392.4	86*240	
WSCR 2015		15	33.31	588.6	106*240	
WSCR 3005	380	5	7.60	91.9	60*220	1
WSCR 3010		10	15.19	183.7	76*240	2
WSCR 3015		15	22.79	275.6	86*240	
WSCR 3020		20	30.39	367.4	106*240	
WSCR 3025		25	37.98	459.2	106*285	
WSCR 4405	440	5	6.56	68.5	60*220	1
WSCR 4410		10	13.12	137.0	76*240	2
WSCR 4415		15	19.68	205.5	96*240	
WSCR 4420		20	26.24	274.0	96*285	
WSCR 4425		25	32.80	342.5	106*285	
WSCR 4430		30	39.36	411	116*285	
WSCR 4805	480	5	6.01	57.6	60*220	1
WSCR 4810		10	12.03	115.1	76*240	2
WSCR 4815		15	18.04	172.7	86*240	
WSCR 4820		20	24.06	230.3	96*285	
WSCR 4825		25	30.07	287.8	106*285	
WSCR 4830		30	36.09	345.5	116*285	
WSCR 5005	525/600	5	5.50	48.1	60*220	1
WSCR 5010		10	11.00	96.2	76*240	2
WSCR 5015		15	16.50	144.4	96*285	
WSCR 5020		20	21.99	192.5	106*285	
WSCR 5025		25	27.49	240.6	116*285	
WSCR 5030		30	32.99	288.8	116*285	

Note: Other specifications or custom requirements available.

Drawing 1



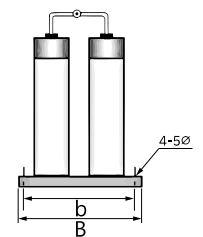
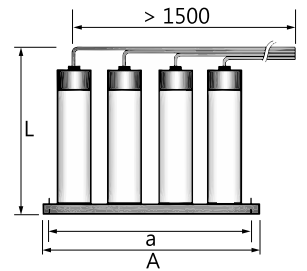
Drawing 2



Three-Phase, 50 or 60Hz Models: Voltages and Dimensions

Rated Voltage	260V		380V		440/480V		525/600V	
	Installation Space	Area Between Mounting Holes	Installation Space	Area Between Mounting Holes	Installation Space	Area Between Mounting Holes	Installation Space	Area Between Mounting Holes
Output (kVAR)	(A*B*L)	(a*b)	(A*B*L)	(a*b)	(A*B*L)	(a*b)	(A*B*L)	(a*b)
10	200*110*340	180*90	200*110*340	180*90	200*110*340	180*90	200*110*340	180*90
15	300*200*340	280*180	200*110*340	180*90	300*200*340	280*90	300*200*340	280*180
20	300*200*340	280*180	300*200*340	280*180	300*200*340	280*180	300*200*340	280*180
25	300*200*340	280*180	300*200*340	280*180	300*200*340	280*180	300*200*340	280*180
30	300*200*340	280*180	300*200*340	280*180	300*200*340	280*180	300*200*340	280*180
35	400*200*340	380*180	300*200*340	280*180	300*200*340	280*180	300*200*340	280*180
40	400*200*340	380*180	300*200*340	280*180	300*200*340	280*180	300*200*340	280*180
50	-	-	300*200*340	280*180	300*200*340	280*180	300*200*340	280*180
60	-	-	400*200*340	380*180	400*200*340	380*180	400*200*340	380*180

Note: Please inquire for horizontal installation.



(Unit: mm)