



Surge Protection Device

Protection of Photovoltaic (PV) Systems

Model: WSP-PV40 Series

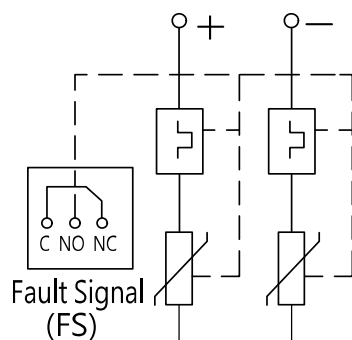
After the release of WSP-B+C Series and UL-certified WSP-B+ Series SPDs for low-voltage power systems, CIC introduces the new WSP-PV40 Series of modular surge protection devices for solar power generation systems. Besides the specifications listed below, this product shares some of the features of the WSP-B+C and WSP-B+ Series, including the easy plug-in and plug-out ability, Din-Rail fast installation, a fault-indicator window, and a built-in FS (remote monitoring) function. This product likewise offers excellent protection and high reliability.



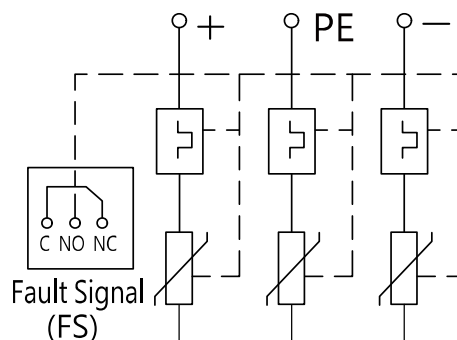
Features

- Plug-type modular model
- DIN-rail installation
- For solar power generation systems
- Metal oxide varistor (MOV) components
- Built-in thermal isolator
- Fault-indicator window
- Full conformity with IEC 61643.31, EN50539-11
- Built-in FS function for remote monitoring

Internal Wiring Diagram



WSP-PV40-06



WSP-PV40-10 / -15



T. +886-2-2788-3368 / F. +886-2-2788-3319
1F., No. 46, Ln. 80, Sec. 3
Nangang Rd. Nangang Dist.,
Taipei City 11570, Taiwan
Email: global@cic-ltd.com.tw
Website: www.cic-ltd.com.tw



Specifications

Model			WSP-PV40-06	WSP-PV40-10	WSP-PV40-15
Specifications					
Nominal PV System Voltage	U_N	V (DC)	600	1000	1500
Max. Continuous Operating DC Voltage	U_C	V (DC)	720	1200	1500
Category	-	Class	II		
Protection Mode	-	-	(DC+ / DC-) – PE		
Rated Discharge Current (8/20) μ s	I_n	kA	20		
Max. Discharge Current (8/20) μ s	I_{max}	kA	40		
Voltage Protection Level (at I_n)	U_p	kV	2.6	3.6	3.5
Response Time	t_A		< 25 ns		
Protection Component	-		MOV		
Degree of Protection	-		IP20		
Remote Alarm Contact Type	-		1a / 1b		
Switching Capability	-		250 V _{ac} / 0.1A; 125 V _{dc} / 0.2A; 75 V _{dc} / 0.5A		
Operating Temperature	$^{\circ}$ C		-40 ~ +80		
Frequency	Hz		50 / 60		
Fault-indicator window	-		Window color turning red signifies product failure and need for replacement.		

Dimensions

