



Surge Protection Module for LED Street Lighting

Operating Conditions

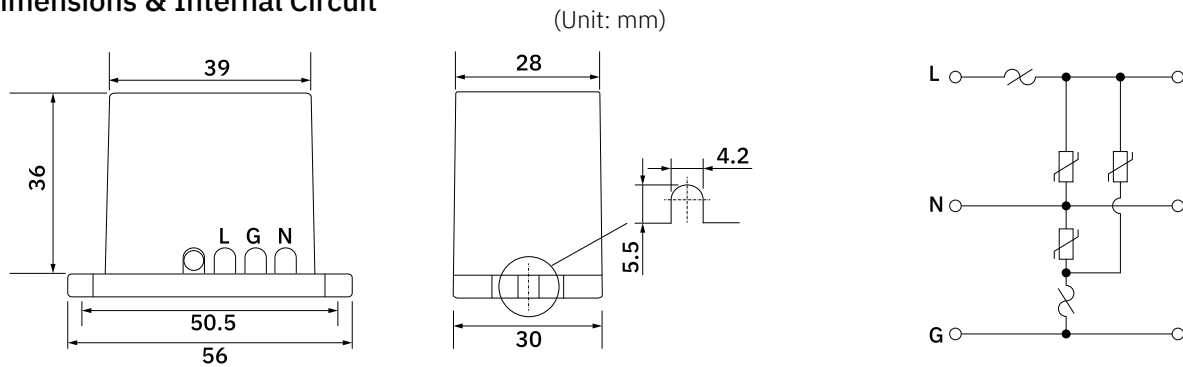
- Standards: IEC 61643-11 & IEC 529-598
- Ambient Temperature: $-30^{\circ}\text{C} \sim +85^{\circ}\text{C}$
- Storage Temperature: $-40^{\circ}\text{C} \sim +85^{\circ}\text{C}$
- Environmental Protective Rating: IP 66
- Lead Wire: 1.5 mm² multi-strand soft copper wire



Outer Casing

- Engineering Plastic

Dimensions & Internal Circuit



Technical Specifications*

*at the ambient temperature (T_A) of 25°C

Specification	Model		WSP-SL10		WSP-SL15	Comment
	U_N	V (AC)				
Nominal voltage	U_N	V (AC)	250			-
Maximum continuous operating voltage	U_C	V (AC)	320			385V, 300V, and 275V available upon request
Voltage protection level	U_P	kV	1.35	1.4		may vary according to lead wire lengths
Open-circuit voltage	U_{oc}	kV	10	15		-
Nominal discharge current	I_n	kA	5	7		8 / 20 μs
Maximum discharge current	I_{max}	kA	10	15		8 / 20 μs
Response time	t_A	ns	< 25			-
Operating temperature range	T_U	$^{\circ}\text{C}$	-30 ~ +85			-
Disconnecter			thermal type			when module is under fault conditions
Indication for module replacement			LED indicator			module replacement needed when the green LED light is off
Modes of protection			L-G, N-G, L-N			-