

FLUKE®

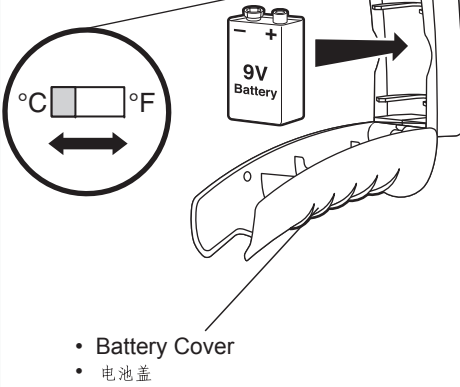


59
Mini Infrared Thermometer

避免直射—这里发出激光
警告
激光照射—不要直视
输出<1mW 波长630-670nm 激光产品
符合 CFR 1040.10

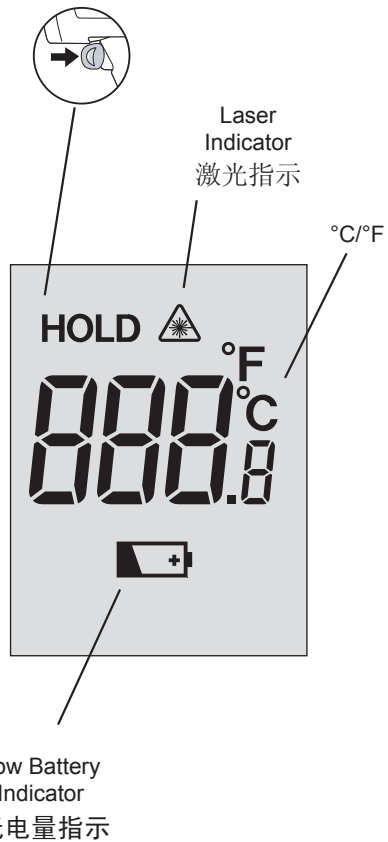
- Laser
- 激光

- Trigger
- 扳机

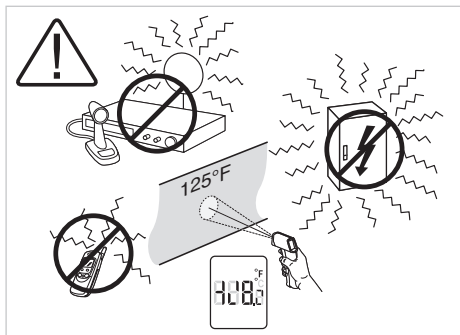
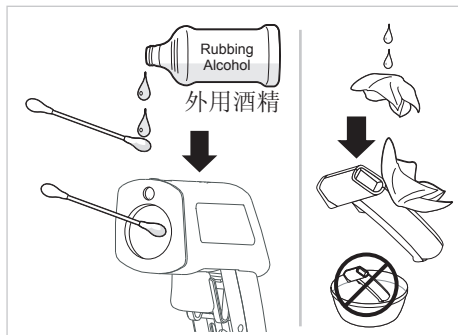
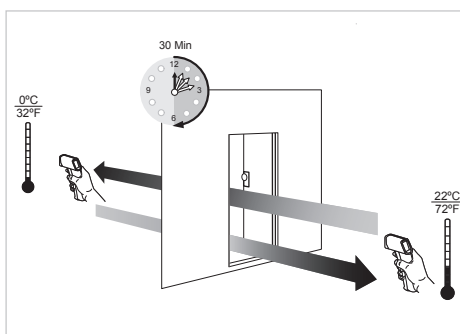
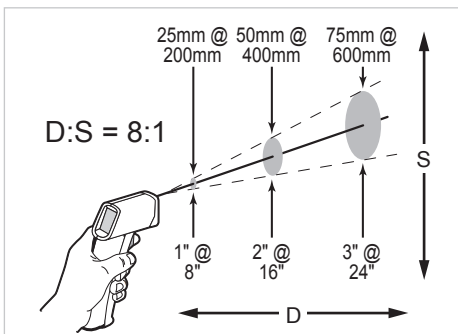
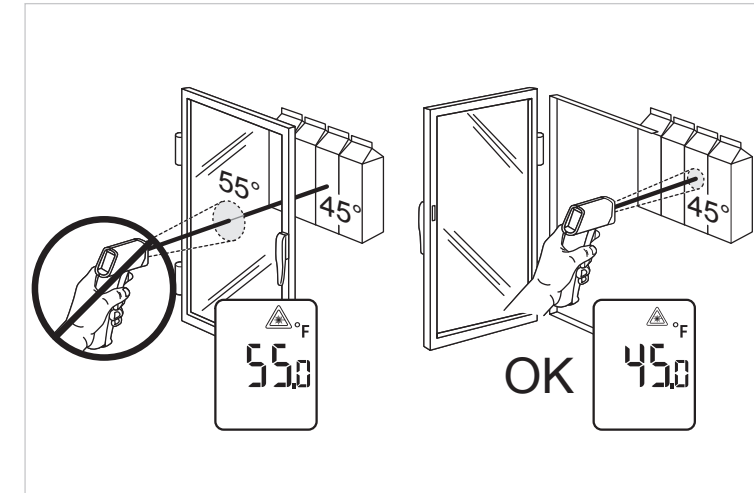
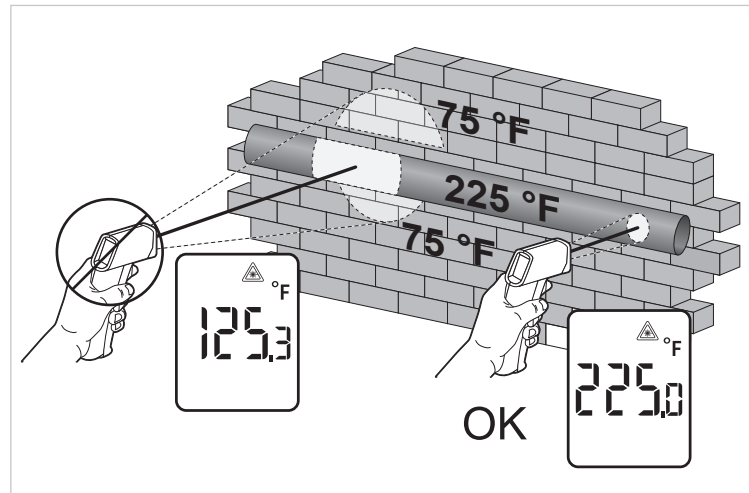
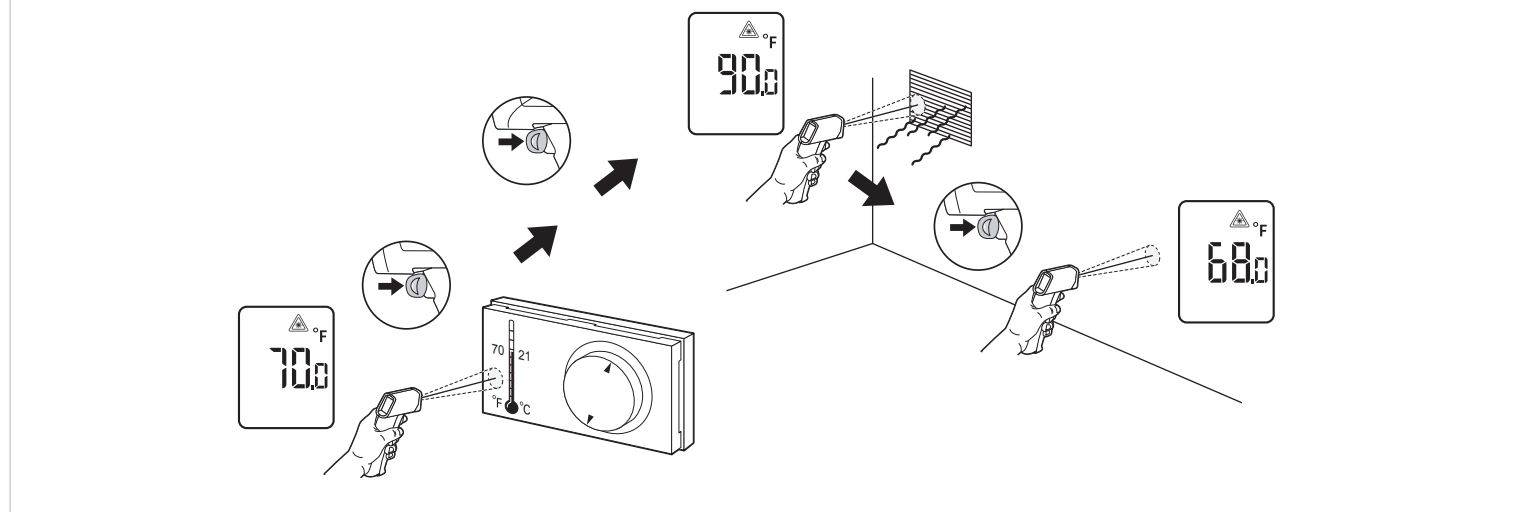


- Battery Cover
- 电池盖

- Display
- 显示面板



- Low Battery Indicator
- 低电量指示



Specifications \ 规格

Temperature Range	-18 °C to 275 °C (0 °F to 525 °F)	温度范围	-18 °C ~ 275 °C (0 °F ~ 525 °F)
Accuracy: Assumes ambient operating temperature of 23 °C ±2 °C (73 °F ±4 °F)	100 °C to 275 °C (212 °F to 525 °F): ±2 % of reading; 0 °C to 100 °C (32 °F to 212 °F): ±2 °C (±3.5 °F); below 0 °C (32 °F): ±3 °C (±5.5 °F)	精度 环境为23°C±2°C 或73°F±4°F	100 °C ~ 275 °C (212 °F ~ 525 °F): 读数的±2 % ; 0 °C ~ 100 °C (32 °F ~ 212 °F): ±2 °C (±3.5 °F); 低于0 °C (32 °F): ±3 °C (±5.5 °F)
Response Time (95%)	<500 mSec	响应时间	<500毫秒
Spectral Response	6.5 to 18 microns	响应波长	6.5 ~ 18微米
Emissivity	Preset to E=0.95	发射率	预设0.95
Optical Resolution (D:S)	8:1 (calculated at 90 % energy)	光学分辨率 (D:S)	8:1 (90 %能量)
Repeatability	±1 % of reading or ±1 °C (±2 °F) whichever is greater	重复性	读数的 ±1 % 或 ±1 °C (±2 °F)取大值
Ambient Operating Range	0 ° to 50 °C (32 °F to 120 °F)	操作环境温度	0 ° ~ 50 °C (32 °F ~ 120 °F)
Relative Humidity	10-90 % RH non-condensing,@ 30 °C (86 °F)	相对湿度	在30 °C (86 °F)时, 10-90 % RH, 无结露
Storage Temperature	-20 °C to 65 °C (-4 °F to 150 °F), without battery	储存温度	-20 °C ~ 65 °C (-4 °F ~ 150 °F), 不带电池
Weight/Dimensions (with battery)	200 g (7 oz.) 152 x 102 x 38 mm (6 x 4 x 1.5 in)	重量/尺寸 (带电池)	200 克 (7 盎司) 152 x 102 x 38 毫米 (6 x 4 x 1.5 英寸)
Power	9 V battery	电源	9 V 电池
Battery Life	4 Hours	电池寿命	4小时
Display Resolution	0.2 °C (0.5 °F)	显示分辨率	0.2 °C (0.5 °F)
Display Hold	7 seconds	显示保持	7秒
Standards	Conforms to EN 61326-1 Electromagnetic Emissions and Susceptibility EN 61010-1 General Safety EN 60825-1 Laser Safety	标准	符合 电磁辐射和响应标准 EN 61326-1 通用安全标准 EN 61010-1 激光安全标准 EN 60825-1
Laser	FDA and IEC Class II	激光	FDA 和 IEC 二级
Certifications	CE	认证	CE

CE Certification
This instrument certified to the following standards:

- EN 61326-1 Electromagnetic Emissions and Susceptibility
- EN 61010-1 General Safety
- EN 60825-1 Laser Safety

Between approximately 250 MHz and 800 MHz at 3 V/m, the instrument may not meet its stated accuracy.
在 250 MHz 到 800 MHz 之间的 3V/m 电磁干扰下, 仪器可能不能满足精度指标

MC
沪制01120009号
执行标准 Q/SXAV 20-2009
PLEASE RECYCLE

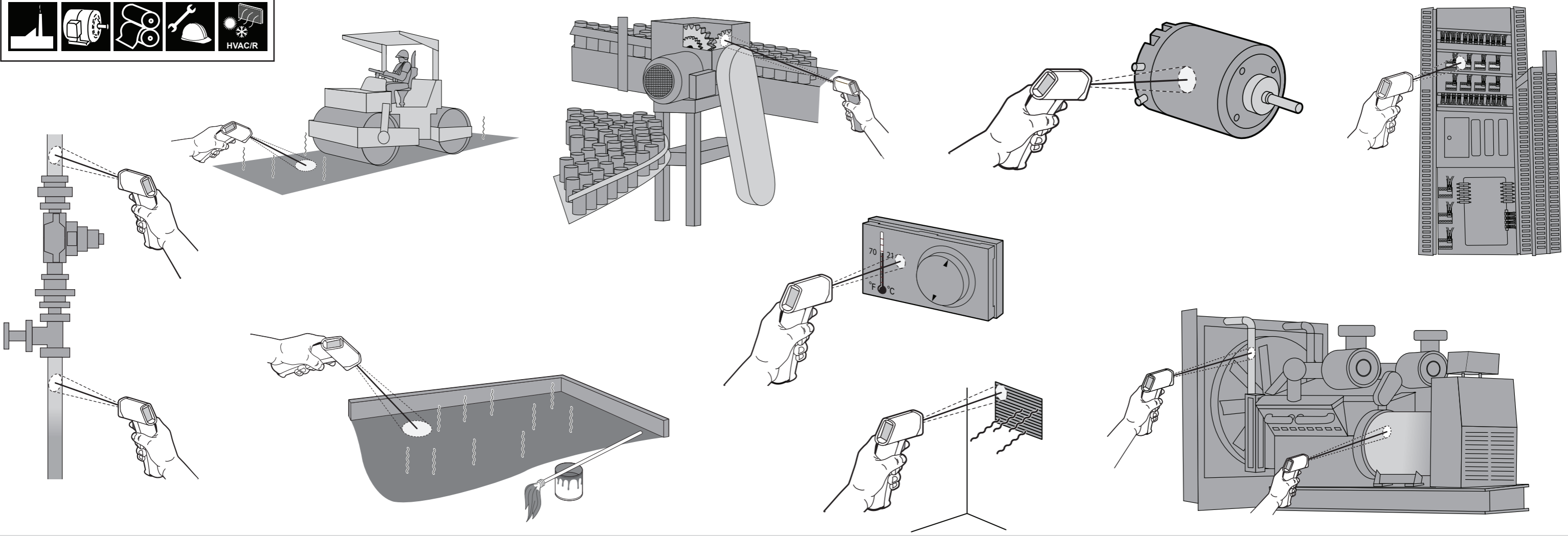
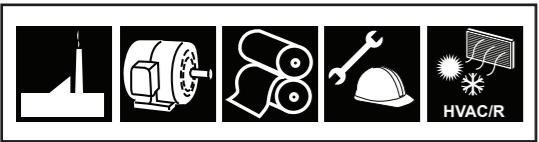
Fluke Corporation
P.O. Box 9090
Everett, WA
98206-9090

维修站地址:
美国福禄克公司北京办事处
北京建国门外大街22号赛特大厦2301室
电话: 010-65123435
制造商: 上海世禄仪器有限公司
生产地址: 中国 上海市 虹梅南路2638弄139号 邮政编码: 201108

PN 3509166 August 2009 Rev. 1, 11/09
©2009 Fluke Corporation. All rights reserved.
Printed in China. www.fluke.com.cn

- Do not use in a manner not specified by this manual or the protection supplied by the equipment may be impaired.
- 若未按照本手册规定的方式使用测温仪, 设备提供的保护功能可能会失效。

Specifications subject to change without notice.
规格参数项目修改, 恕不另行通知



LIMITED WARRANTY AND LIMITATION OF LIABILITY

This Fluke product will be free from defects in material and workmanship for one year from the date of purchase. This warranty does not cover fuses, disposable batteries, or damage from accident, neglect, misuse, alteration, contamination, or abnormal conditions of operation or handling. Resellers are not authorized to extend any other warranty on Fluke's behalf. To obtain service during the warranty period, contact your nearest Fluke authorized service center to obtain return authorization information, then send the product to that Service Center with a description of the problem. THIS WARRANTY IS YOUR ONLY REMEDY. NO OTHER WARRANTIES, SUCH AS FITNESS FOR A PARTICULAR PURPOSE, ARE EXPRESSED OR IMPLIED. FLUKE IS NOT LIABLE FOR ANY SPECIAL, INDIRECT, INCIDENTAL OR CONSEQUENTIAL DAMAGES OR LOSSES, ARISING FROM ANY CAUSE OR THEORY. Since some states or countries do not allow the exclusion or limitation of an implied warranty or of incidental or consequential damages, this limitation of liability may not apply to you.

有限保修及责权范围

本产品自购买之日起，将可享受一年材料上及工艺上的质保，但此保修不包括保险丝（熔断）、一次性电池（用完）、或者由于意外事故、疏忽、滥用、改造、污染、及操作环境的反常而形成的损害。零售商没有被授权代表 Fluke 扩充该保修的内容。质保期间，如需服务，您可联系最近的 Fluke 维修中心，获得认可信息，然后将产品送至该中心，并附上故障说明。该保是您可获取补偿的唯一保修。除此之外，没有为特别的目的而制定的保修，对于任何特殊的、间接的、偶然的、并发性的损害或各种损耗，Fluke 概不负责。因为有国家不允许对暗示保修或偶然的、并发性的损坏的排除或限制，上述责任限制也许不适用于您。