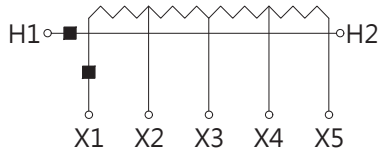
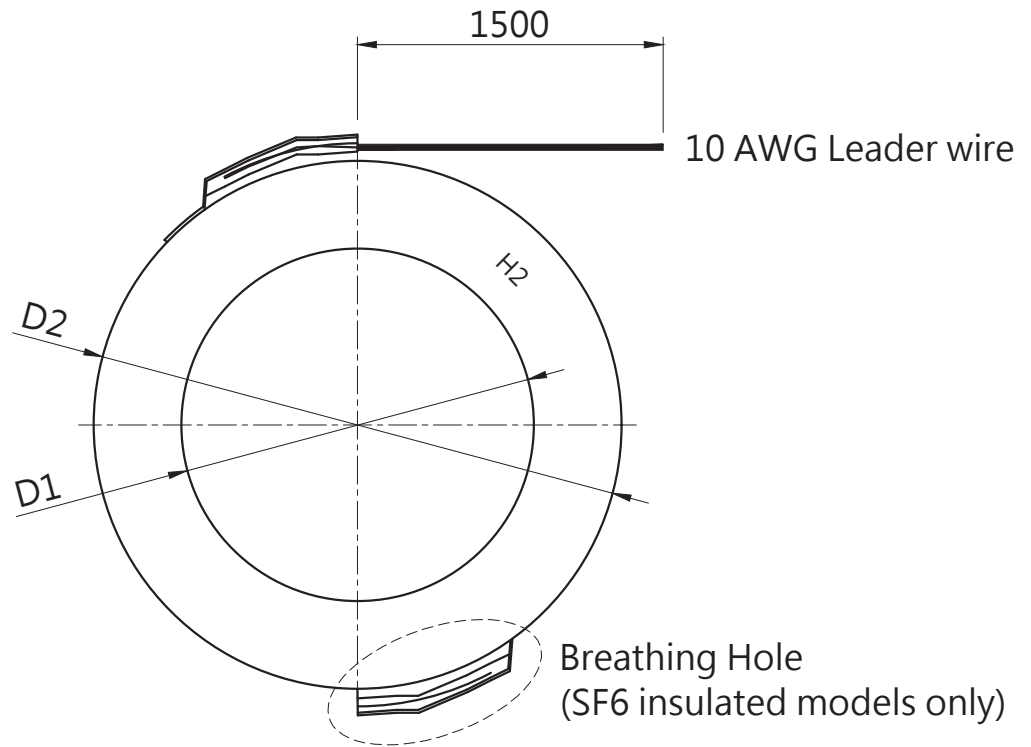
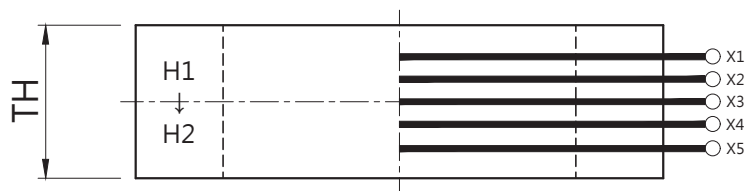


Model(s): TB-1M Series



Current Ratio (A)	D1	D2	TH
600~50:5	135	225	140
1200~100:5	170	260	65
2000~300:5			225
3000~300:5	230	420	105
4000~500:5	400	525	145

※Standard Multi-Ratio of Current according to IEEE C57.13-2016



(Unit: mm)