

# SPLIT-CORE CURRENT TRANSFORMERS



## PSC Series

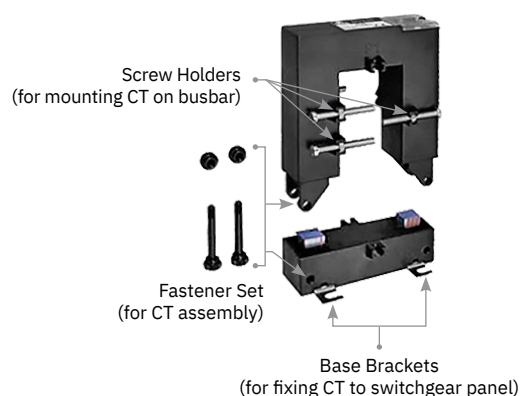
### Introduction

With an ABS exterior and rectangularly shaped, these split-core, window-type, low-voltage current transformers are self-extinguishing and have a high level of insulation and moisture resistance. Each PSC Series current transformer can be mounted on a busbar\* (the busbar can be either horizontally or vertically installed in the switchgear panel). Alternatively, the current transformer can be fixed directly to the switchgear panel. Suitable for switchgear-panel manufacturers, these current transformers can also be installed, by an end user, onto an existing power system – this can be done without cutting (or removing) the primary busbar or insulated wires.

### Common Specifications

Standard	IEC
Rated voltage	$\leq 0.72$ kV
Frequency	50 or 60 Hz
AC / BIL	3/- kV
For indoor application	

Note: Other standards and specifications available.



\* If the current transformer is mounted on a busbar, care must be taken, when the switchgear panels are being moved or when during an earthquake, to prevent the current transformer from sliding due to its weight.

## Selection Table

Model	Current Ratio (A)	Burden (VA)		Window Size (mm)	
		At 1.0 CL. Accuracy	At 3.0 CL. Accuracy	L	W
PSC-302**	100 / 5	-	1.5	32	21
	150 / 5	1.5	2.5		
	200 / 5	1.5	2.5		
	250 / 5	1.5	2.5		
	300 / 5	2.5	5		
	400 / 5	2.5	5		
PSC-805	250 / 5	1.5	2.5	80	50
	300 / 5	2.5	5		
	400 / 5	2.5	5		
	500 / 5	5	7.5		
	600 / 5	5	7.5		
	750 / 5	5	7.5		
	800 / 5	7.5	10		
	1000 / 5	7.5	10		
PSC-808	250 / 5	1.5	2.5	80	80
	300 / 5	2.5	5		
	400 / 5	2.5	5		
	500 / 5	2.5	5		
	600 / 5	5	7.5		
	750 / 5	5	7.5		
	800 / 5	5	7.5		
	1000 / 5	5	7.5		
PSC-128	500 / 5	5	7.5	120	80
	600 / 5	5	7.5		
	750 / 5	5	7.5		
	800 / 5	5	7.5		
	1000 / 5	7.5	10		
	1200 / 5	10	10		
	1250 / 5	10	10		
	1500 / 5	10	10		
PSC-168	1000 / 5	7.5	10	160	80
	1500 / 5	10	10		
	2000 / 5	10	15		
	2500 / 5	10	15		
	3000 / 5	15	15		
	4000 / 5	15	15		

\*\* For Model PSC-302, if there is a specific requirement regarding phase angle error, please select a current ratio that is equal or above 250/5 (A).

Note: Other standards and specifications available.



### CHALLENGE INDUSTRIAL CO., LTD.

1F, No. 46, Ln. 80, Sec. 3, Nangang Rd.,  
Taipei City 115, Taiwan (R.O.C.)  
T: 886-2-2788-3368 ext. 2318