

# 52 kV & 72 kV CURRENT TRANSFORMERS

## *Outdoor Type*

**AWF-52 AWF-72**



### **Introduction**

High-voltage outdoor-type current transformers AWF-52 and AWF-72 are available in single-core and two-core varieties. These instrument transformers can be offered according to client-specified standards (e.g. IEC, IEEE, etc.) and specifications, such as accuracy, burden, and others.

Cast in Araldite® UV-resistant cycloaliphatic epoxy resin, these current transformers are furthermore distinguished by their extended creepage distance. These and other outstanding characteristics enable the products to withstand solar ultraviolet radiation and IEC-defined pollution level III (“Heavy”). In fact, these high-voltage outdoor-type current transformers maintain their excellent electrical properties even under long-term exposure to salt fog, high temperature, and high humidity.

### **Features**

- Durable construction and distinctive design.
- Dry type for easy maintenance.
- High insulation for long service life.
- Designed for tough outdoor conditions.
- Cover for the primary.
- Easily hung.
- Designed for IEC-defined pollution level III.

## Electrical Specifications

Model	Standard	Maximum System Voltage	Frequency (Hz)	Power-Frequency Withstand Voltage	Lightning Impulse Voltage (1.2 / 50 $\mu$ s)	Creepage Distance (mm)
AWF-52	IEC (other standards by request)	52 kV	50 or 60	95 kV / 1 min.	250 kV	> 1380
AWF-72		72.5 kV		140 kV / 1 min.	325 kV	> 1890

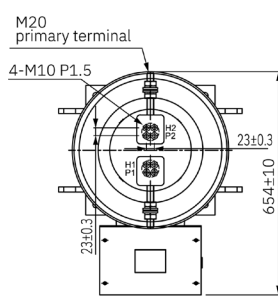
## Selection Table

Model	Primary Current	Secondary Current		Burden / Accuracy	$I_{th}$	Core(s)	Approx. Weight (kg)	Height * (mm)	
		Core 1	Core 2					h	H
AWF-52	2x25~2x300 A	5A / 1A	-	60VA / 10P20	100 $I_n$	1	189	643 ( $\pm 5$ )	818 ( $\pm 5$ )
	600~1200 A				60 kA / 1s (Max.)				
	2x25~2x300 A	5A / 1A	5A / 1A	15VA / 5P20 + 30(15)VA / 1.0(0.5)	100 $I_n$	2			
	600~1200 A				60 kA / 1s (Max.)				
AWF-72	2x25~2x300 A	5A / 1A	-	60VA / 10P20	100 $I_n$	1	221	696 ( $\pm 5$ )	871 ( $\pm 5$ )
	600~1200 A				60 kA / 1s (Max.)				
	2x25~2x300 A	5A / 1A	5A / 1A	15VA / 5P20 + 30(15)VA / 1.0(0.5)	100 $I_n$	2			
	600~1200 A				60 kA / 1s (Max.)				

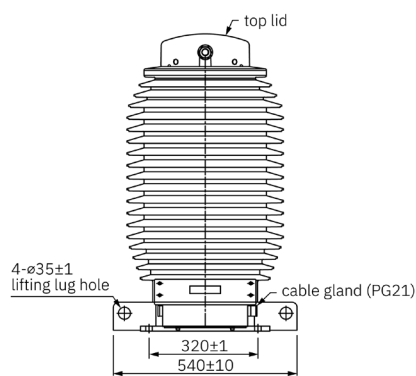
\* Please refer to "Drawings and Dimensions."  
Note: Other specifications available upon request.

## Drawings and Dimensions

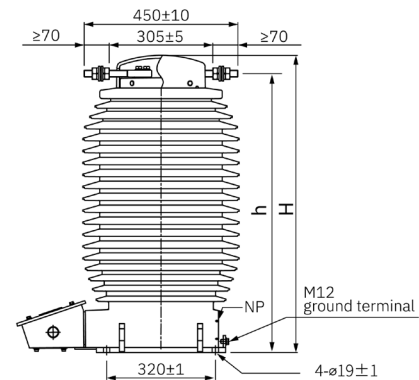
(Unit: mm)



top view (no lid)



front view



side view

Note: Besides differences in height and creepage distance, 52 kV and 72 kV models share the same dimensions for the product base and other accessories.



### CHALLENGE INDUSTRIAL CO., LTD.

1F, No. 46, Ln. 80, Sec. 3, Nangang Rd.,  
Taipei City 115, Taiwan (R.O.C.)  
T: 886-2-2788-3368 ext. 2318