

SINGLE-PHASE DIN RAIL MULTIFUNCTION ENERGY METER



CED-1C

Product Overview

The CED-1C single-phase DIN rail multifunction energy meter is designed for compact installation in residential and commercial premises. Its compact DIN rail-mounted design saves space and allows easy installation and operation. The meter accurately measures a comprehensive range of electrical parameters in single-phase electrical systems and supports remote monitoring, enabling users to monitor electrical usage at any time.

Features

- DIN rail mounting for easy installation; compact and space-saving
- Button-controlled switching between displayed electrical parameters
- RS485 communication interface supporting Modbus RTU protocol
- Multifunction power measurement with bidirectional metering support
- Suitable for a wide range of electrical applications, with support for integration into remote monitoring systems

Example Applications

- Distribution panels
- Solar power generation system monitoring
- In-plant electricity consumption management

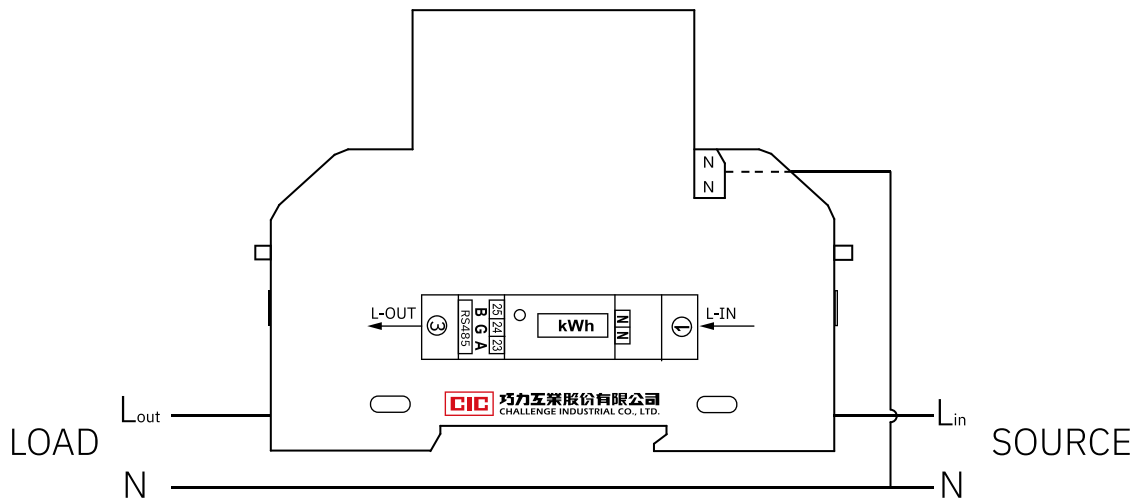
Technical Specifications

Standard	IEC 62052-11, IEC 62053-21
Rated Voltage	220 V
Rated Current	5(100) A
Meter Constant	1000 imp/kWh
Frequency	50 or 60 Hz
Accuracy Class	B (CL 1.0)
LCD Display	7-digit LCD multifunction display for electrical parameters
Operating Temperature	-25°C ~ +70°C
Storage Temperature	-30°C ~ +70°C
Power Consumption	≤ 1 W, ≤ 12 VA
Relative Humidity	≤ 75% (non-condensing)
Maximum Relative Humidity	≤ 95%
Starting Current	0.004Ib
Ingress Protection Rating	IP51 (Indoor Use)

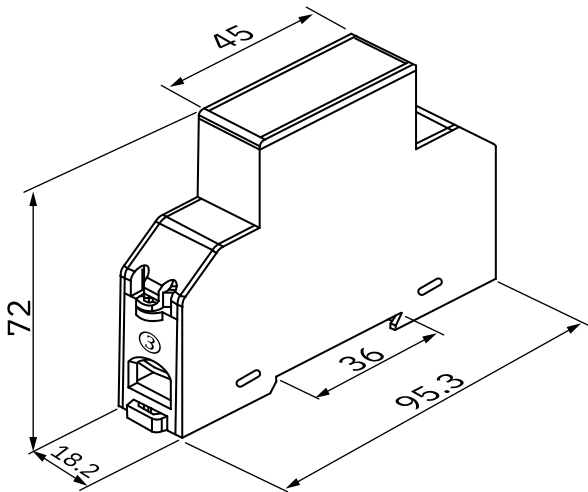
Model Specifications

Model	Metering Code	Specifications	Dimensions (mm)			Terminal Hole Diameter (mm)
			L	W	H	
CED-1C	CED-1CBEA	1P2W 220V 5(100)A 60(or 50)Hz	95.3	18.2	72	∅ 9.5

Wiring Diagram



Outline Dimensions



(Unit: mm)

LCD Display



Various electrical parameters displayed



CHALLENGE INDUSTRIAL CO., LTD.

1F, No. 46, Ln. 80, Sec. 3, Nangang Rd.,
Taipei City 115, Taiwan (R.O.C.)
T: 886-2-2788-3368 ext. 2318