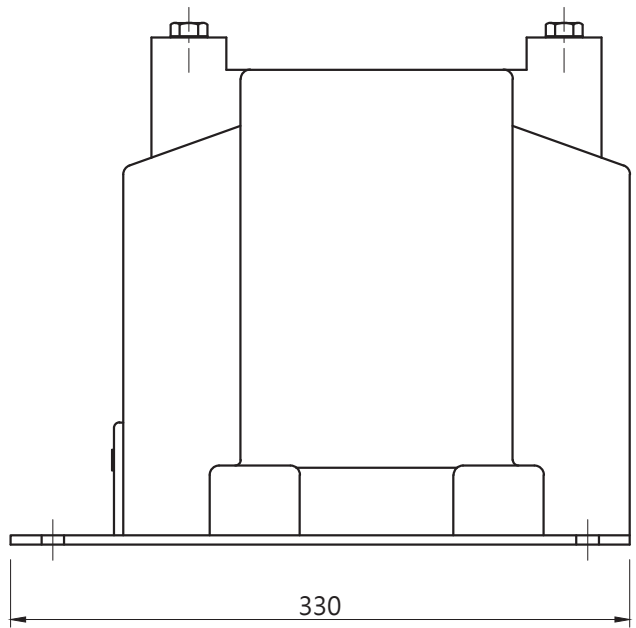
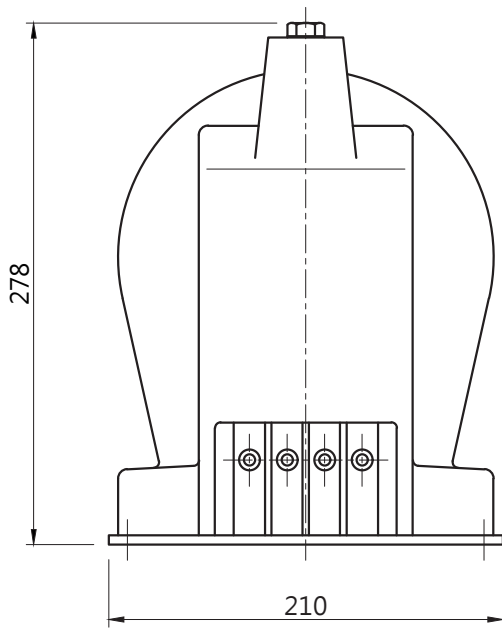
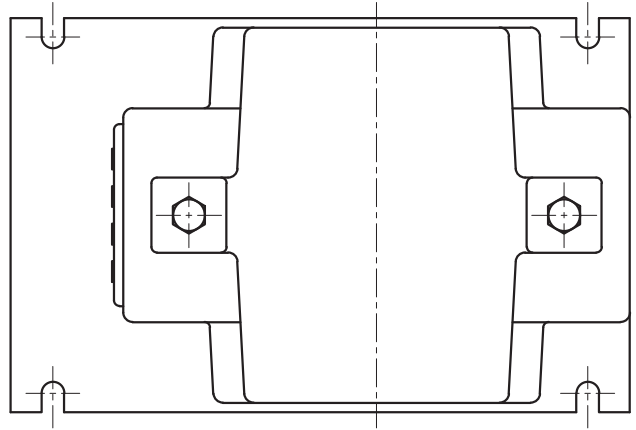


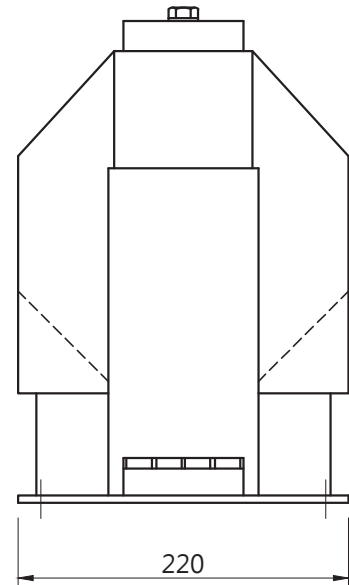
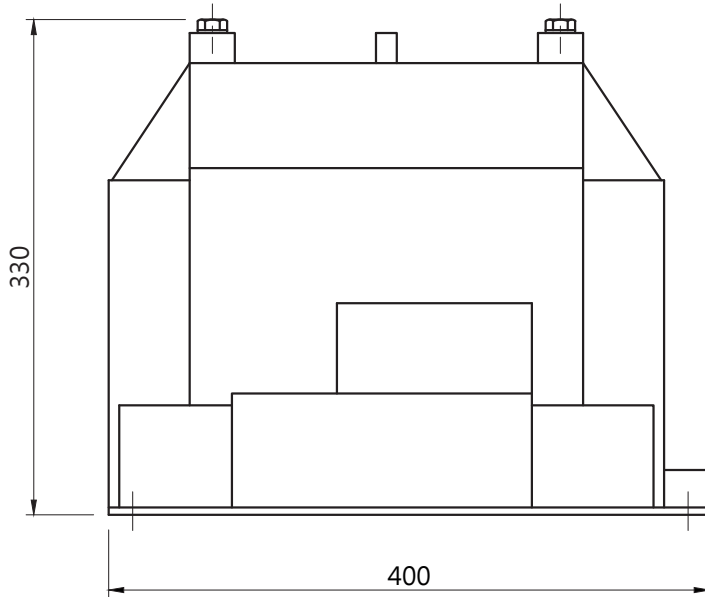
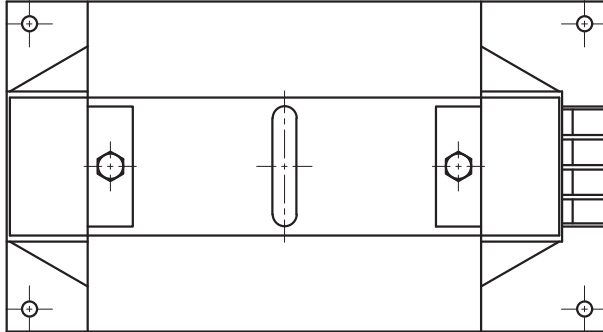
Model(s): EPF-10B



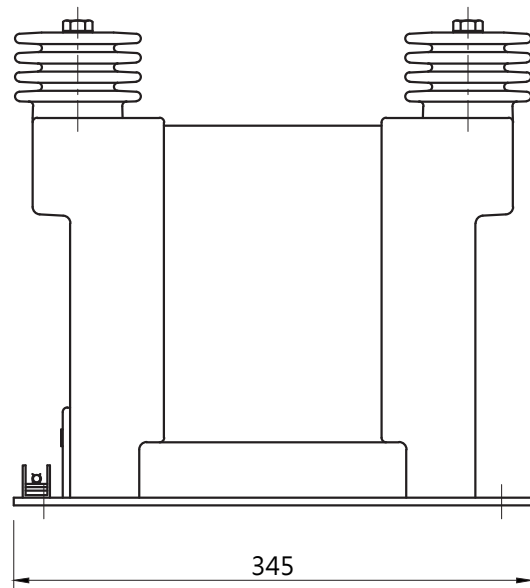
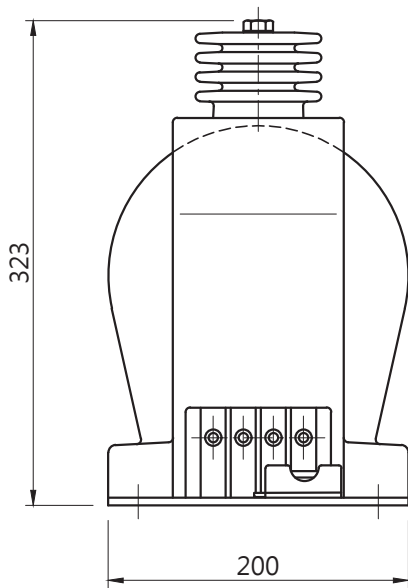
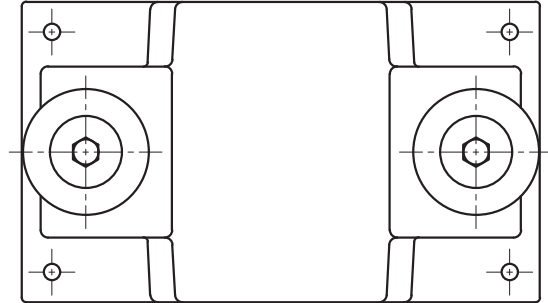
(Unit: mm)

Model(s): EPF-20SE

---



(Unit: mm)



(Unit: mm)